

# Sômatik Labs®



## SLS-UV15

Ultraviolet Phone Sanitiser  
with Aromatherapy

**USER MANUAL**



# CONTENTS

<b>1.0</b>	<b>BEFORE USE</b> .....	<b>3</b>
<b>2.0</b>	<b>IMPORTANT SAFETY INSTRUCTIONS</b> .....	<b>3</b>
<b>3.0</b>	<b>KEY FEATURES</b> .....	<b>4</b>
<b>4.0</b>	<b>TECHNICAL SPECIFICATIONS</b> .....	<b>5</b>
<b>5.0</b>	<b>PACKAGE CONTENTS</b> .....	<b>5</b>
<b>6.0</b>	<b>PRODUCT OVERVIEW</b> .....	<b>6</b>
<b>7.0</b>	<b>HOW TO USE YOUR SOMATIK LABS SLS-UV15</b> .....	<b>7</b>
7.1	Quick Clean - 5 minute Mode .....	8
7.2	Deep Clean - 15 minute Mode .....	8
7.3	Aroma Mode .....	9
<b>8.0</b>	<b>STATUS INDICATOR GUIDE</b> .....	<b>9</b>
<b>9.0</b>	<b>WARRANTY TERMS &amp; CONDITIONS</b> .....	<b>10</b>
9.1	Indemnity.....	11
9.2	Warranty and Warranty Disclaimer .....	11
<b>10.0</b>	<b>NOTES</b> .....	<b>16</b>



## 1.0 BEFORE USE

The Somatik Labs SLS-UV15 Ultraviolet Phone Sanitiser with Aromatherapy has been carefully developed to easily clean and disinfect everyday personal items. It is important to follow the included instructions to ensure effective removal of up to 99.9% of germs and bacteria.

Please open and check the contents carefully before use and perform all installation and operating instructions as per this user manual. In case of any damage or operation problem please contact Somatik Labs service department (refer page 10).

## 2.0 IMPORTANT SAFETY INSTRUCTIONS

**READ ALL INSTRUCTIONS BEFORE USE - PLEASE SAVE THESE INSTRUCTIONS**

**DANGER – to reduce the risk of electric shock:**

- Do not place or store the UV sanitiser where it can fall into or be pulled into a tub or sink.
- Do not place in or drop into water or other liquids.

**WARNING – to reduce the risk of burns, fire, electric shock or injury:**

- This product features a built-in safety mechanism to reduce the risk of exposure to UV-C ultraviolet radiation. It is important that you use the device with the lid completely closed.
- Do not attempt to look directly at the UV-C lamps while the unit is on. UV light can be damaging to the eyes and skin.
- Do not attempt to modify this product, it has been designed to contain UV exposure.

- Do not expose the device to fire or excessive temperature.
- Please follow all charging instructions and do not charge the device outside of the temperature range specified.
- Charging improperly or at temperatures outside of the specified range may increase the risk of fire.
- Product operating & charging range: 0°C - 50°C.

### 3.0 KEY FEATURES

**UV-C Technology:** Ultraviolet (UV) light is a short wavelength light invisible to the human eye. UV light is chemical free and can kill up to 99.9% of germs and bacteria.

**Fits most phones:** Designed and built to accommodate most larger mobile phone sizes including iPhone 8+, iPhone 11 Pro Max, iPhone XS Max, iPhone 8+, Samsung Galaxy S10+, Samsung Galaxy S20+, Samsung Galaxy Note 10+ and more. (Fits items up to 180 x 100 x 30mm in size)

**Dual mode sanitisation:** 5 minute Express Clean or 15 minute Deep Clean.

**Safe:** Safety switch feature ensures the UV Sanitiser can only be used when it is fully closed.

**Sanitisation coverage:** 360° full protection.

**Aromatherapy:** Enjoy your favourite aromatherapy scent with the built in diffuser.

**Multi-function:** Sanitises all kinds of daily necessities including mobile phones, jewellery, keys, masks, earphones, glasses, credit cards and more.

**USB Charging:** Charge your device via the external USB charging port.

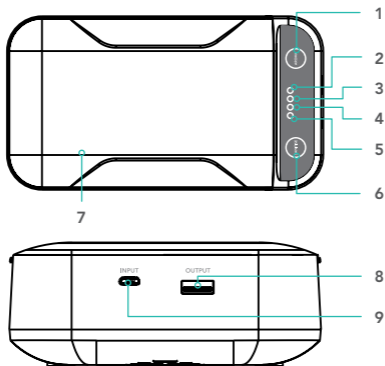
#### 4.0 TECHNICAL SPECIFICATIONS

Product size (mm)	227 (D) x 125 (W) x 50 (H)
Inner holder size (mm)	180 (D) x 100 (W) x 30 (H)
Input	5V
Output	2A
Power for aromatherapy	1W
Power for sterilization	2W
Max power	9W
Ultraviolet wavelength	253.7nm

#### 5.0 PACKAGE CONTENTS

1. Phone Sanitiser x 1
2. USB Cable x 1
3. Instruction Manual x 1

## 6.0 PRODUCT OVERVIEW



1. Aroma Mode Button
2. 100% Status LED
3. 75% Status LED
4. 50% Status LED
5. 25% Status LED
6. Sanitise Mode Button
7. Aromatherapy Oil Diffuser Vent (inside)
8. USB Charging Port
9. DC Power (Micro USB)



## 7.0 HOW TO USE YOUR SOMATIK LABS SLS-UV15

1. Plug the small end of the supplied micro-USB cable into the device DC power input.
2. Plug the large USB-A end of the charging cable into a 5V/2A USB-A wall charger or computer USB port (charger not included).
3. Open the lid and place your belongings to be sanitised or aromatised inside the sanitiser, ensuring the lid is safely closed (Please remove phone and device cases and covers prior to sanitising or aromatising. Cases and covers can be sanitised or aromatised separately).
4. The Sanitise Mode Button will show solid white and the Aroma Mode button will show solid green light indicating the device is Powered **ON**.
5. For your safety, the SLS-UV15 sanitiser comes with a built-in safety switch. If the lid is opened during the sanitising process, sanitising is paused and will resume after the lid is closed.
6. If the sanitiser lid is left open for more than 60 seconds while power is on the device will enter Standby Mode. Sanitise Mode or Aroma Mode will need to be re-started if the device enters Standby Mode.

### PLEASE NOTE

Phones, devices, and other objects for sanitising must be clean of any dirt or debris to ensure they are properly disinfected. Only surfaces that are exposed to the UV light can be disinfected.

## 7.1 QUICK CLEAN - 5 MINUTE MODE

1. The Sanitise Mode button will show solid white indicating the device is Powered **ON**.
2. Quick press the Sanitise Mode button to start the Quick Clean process.
3. The indicator LEDs will change from blinking blue to solid blue to indicate sanitising progress.
4. After all 4 indicator LEDs have turned solid blue the lid is safe to open.
5. The sanitise process can be canceled at any time during operation by pressing the Sanitise Mode button twice.

## 7.2 DEEP CLEAN - 15 MINUTE MODE

1. The Sanitise Mode button will show solid white indicating the device is Powered **ON**.
2. Long press the Sanitise Mode button for a minimum of 3 seconds to start the Deep Clean process.
3. The color of the Sanitise Mode button will change to blue and the indicator LEDs will start blinking, showing sanitising progress.
4. The indicator LEDs will change from blinking blue to solid blue to indicate deep sanitising process.
5. After all 4 indicator LEDs have turned blue the lid is safe to open.
6. The sanitise process can be canceled any time during operation by pressing the Sanitise Mode button twice.

### 7.3 AROMA MODE

1. The Aroma Mode button will show solid green indicating the device is Powered **ON**.
2. Place a few drops of aromatherapy oil (not included) in the aromatherapy diffuser vent (maximum 0.3ml).
3. Quick press the Aroma Mode button.
4. The indicator LEDs will change from blinking green to solid green to indicate aromatherapy progress.
5. After all 4 indicator LEDs have turned solid green the lid is safe to open.
6. The aromatherapy process can be canceled any time during operation by pressing the Aroma Mode button twice.

### 8.0 STATUS INDICATOR GUIDE

<b>Sanitise Button</b>	Solid White Light	Device is powered on and ready to Sanitise
<b>Aroma Button</b>	Solid Green Light	Device is powered on and ready to Aromatise
<b>Sanitise Button</b>	Solid Blue Light	Device is in Deep Clean Mode
<b>Progress LED's</b>	Blinking Blue	Indicates 25%-100% Quick Clean progress
<b>Progress LED's</b>	Blinking Blue	Indicates 25%-100% Deep Clean progress
<b>Progress LED's</b>	Blinking Green	Indicates 25%-100% Aromatherapy progress

## 9.0 WARRANTY TERMS & CONDITIONS

Our goods come with guarantees that cannot be excluded under the Australian Consumer Law. You are entitled to a replacement or refund for a major failure and for compensation for any other reasonably foreseeable loss or damage. You are also entitled to have the goods repaired or replaced if the goods fail to be of acceptable quality and the failure does not amount to a major failure.

This warranty is provided in addition to your rights under the Australian Consumer Law. Directed Electronics warrants that this product is free from defects in material and workmanship for a period of 12 months from the date of purchase or for the period stated on the packaging. This warranty is only valid where you have used the product in accordance with any recommendations or instructions provided by Directed Electronics.

This warranty excludes defects resulting from alterations of the product, accident, misuse, abuse or neglect. In order to claim the warranty, you must return the product to the retailer from which it was purchased or if that retailer is part of a National network, a store within that chain, along with satisfactory proof of purchase. The retailer will then return the goods to Directed Electronics.

Directed Electronics will repair, replace or refurbish the product at its discretion. The retailer will contact you when the product is ready for collection. All costs involved in claiming this warranty, including the cost of the retailer sending the product to Directed Electronics, will be borne by you.

**Email: [service@somatiklabs.com](mailto:service@somatiklabs.com)**

**Phone: +61 03 8331 4800**

## **9.1 INDEMNITY**

YOU AGREE TO DEFEND, INDEMNIFY AND HOLD HARMLESS SOMATIK LABS AND ITS SUBSIDIARIES AND AFFILIATES FROM AND AGAINST ANY AND ALL CLAIMS, PROCEEDINGS, INJURIES, LIABILITIES, LOSSES, COSTS AND EXPENSES (INCLUDING REASONABLE LEGAL FEES), INCLUDING BUT NOT LIMITED TO, CLAIMS ALLEGING NEGLIGENCE, INVASION OF PRIVACY, COPYRIGHT INFRINGEMENT AND/OR TRADEMARK INFRINGEMENT AGAINST SOMATIK LABS AND ITS SUBSIDIARIES AND AFFILIATES OR THESOMATIK LABS SERVICES, RELATING TO OR ARISING OUT OF YOUR BREACH OF ANY PROVISION OF THESE TERMS, YOUR MISUSE OF THE SOMATIK LABS OR SOMATIK LABS SERVICES, OR YOUR UNAUTHORIZED MODIFICATION OR ALTERATION OF PRODUCTS OR SOFTWARE.

## **9.2 WARRANTY AND WARRANTY DISCLAIMER**

SOMATIK LABS HAS A LIMITED WARRANTY ON WHEREBY SOMATIK LABS WARRANTS TO AND ONLY TO YOU THAT THE ON SOMATIK LABS MEDICAL DIAGNOSTIC AND UV-C SANITISATION DEVICES, INCLUDING TEMPERATURE THERMOMETERS, BLOOD PRESSURE MONITORS, UV-C SANITISERS AND UV-C SANITISING WANDS/CASES/TRAVEL BAGS WILL BE FREE FROM DEFECTS IN MATERIALS AND WORKMANSHIP FOR ONE (1) YEAR FROM THE DATE OF YOUR PURCHASE OF THE ON SOMATIK LABS MEDICAL DIAGNOSTIC AND UV-C SANITISATION DEVICES, INCLUDING TEMPERATURE THERMOMETERS, BLOOD PRESSURE MONITORS, UV-C SANITISERS AND UV-C SANITISING WANDS/CASES/TRAVEL BAGS (UNLESS A LONGER WARRANTY PERIOD IS REQUIRED BY

LAW). THE SPECIFICS OF THIS SOMATIK LABS LIMITED WARRANTY ARE AT [HTTPS://WWW.SOMATIKLABS.COM/WARRANTY](https://www.somatiklabs.com/warranty). TO THE EXTENT POSSIBLE UNDER GOVERNING LAW, OTHER THAN THE ABOVE PRODUCT WARRANTY FOR THE SOMATIK LABS MEDICAL DIAGNOSTIC AND UV-C SANITISATION DEVICES, INCLUDING TEMPERATURE THERMOMETERS, BLOOD PRESSURE MONITORS, UV-C SANITISERS AND UV-C SANITISING WANDS/CASES/TRAVEL BAGS, YOU UNDERSTAND AND AGREE THAT THE SOMATIK LABS SERVICES ARE PROVIDED ON AN "AS IS" AND "AS AVAILABLE" BASIS. SOMATIK LABS MAKES NO WARRANTY THAT THE SOMATIK LABS PRODUCT AND SERVICES WILL MEET YOUR REQUIREMENTS OR THAT USE OF THE SOMATIK LABS SERVICES WILL BE UNINTERRUPTED, TIMELY, SECURE OR ERROR-FREE NOR DOES SOMATIK LABS MAKE ANY WARRANTY AS TO THE ACCURACY OR RELIABILITY OF ANY INFORMATION OBTAINED THROUGH THE SOMATIK LABS SERVICES (INCLUDING THIRD PARTY CONTENT), THAT ANY DEFECTS IN THE SOMATIK LABS SERVICES WILL BE CORRECTED OR THAT THE SOMATIK LABS PRODUCTS OR SOMATIK LABS SERVICES WILL BE COMPATIBLE WITH ANY OTHER SPECIFIC HARDWARE OR SERVICE. FURTHER, SOMATIK LABS DOES NOT WARRANT THAT THE SOMATIK LABS SERVICES OR THE SOMATIK LABS SERVERS THAT PROVIDE YOU WITH DATA AND CONTENT ARE FREE OF VIRUSES OR OTHER HARMFUL COMPONENTS. SOMATIK LABS ALSO ASSUMES NO RESPONSIBILITY FOR AND SHALL NOT BE LIABLE FOR ANY DAMAGES CAUSED BY VIRUSES THAT MAY INFECT YOUR SOMATIK LABS MEDICAL

DIAGNOSTIC AND UV-C SANITISATION DEVICES, INCLUDING TEMPERATURE THERMOMETERS, BLOOD PRESSURE MONITORS, UV-C SANITISERS AND UV-C SANITISING WANDS/CASES/TRAVEL BAGS, COMPUTER SOFTWARE, OR OTHER HARDWARE.

YOU AGREE THAT SOMATIK LABS IS NOT A PROVIDER OF MEDICAL SERVICES AND THAT SOMATIK LABS IS NOT PROVIDING ME WITH MEDICAL DIAGNOSIS OF ANY TYPE. IN THE EVENT OF ANY LOSS, DAMAGE OR INJURY, YOU WILL NOT LOOK TO SOMATIK LABS TO COMPENSATE YOU OR ANYONE ELSE. YOU RELEASE AND WAIVE FOR YOURSELF AND YOUR INSURER ALL SUBROGATION AND OTHER RIGHTS TO RECOVER AGAINST SOMATIK LABS ARISING AS A RESULT OF THE PAYMENT OF ANY CLAIM FOR LOSS, DAMAGE OR INJURY.

SOMATIK LABS'S EQUIPMENT AND SERVICES DO NOT CAUSE AND CANNOT ELIMINATE OCCURRENCES OF CERTAIN EVENTS, INCLUDING, BUT NOT LIMITED TO MEDICAL PROBLEMS OR MEDICAL INCIDENTS. SOMATIK LABS MAKES NO GUARANTEE OR WARRANTY, INCLUDING ANY IMPLIED WARRANTY OF MERCHANTABILITY OR FITNESS FOR A PARTICULAR PURPOSE, THAT THE SOMATIK LABS EQUIPMENT AND SERVICES PROVIDED WILL DETECT OR AVERT SUCH INCIDENTS OR THEIR CONSEQUENCES. SOMATIK LABS DOES NOT UNDERTAKE ANY RISK THAT YOU OR PROPERTY, OR THE PERSON OR PROPERTY OF OTHERS, MAY BE SUBJECT TO INJURY OR LOSS IF SUCH AN EVENT OCCURS. THE ALLOCATION OF SUCH RISK REMAINS WITH YOU, NOT SOMATIK LABS.

OTHER THAN THE ABOVE PRODUCT WARRANTY FOR THE SOMATIK LABS MEDICAL DIAGNOSTIC AND UV-C SANITISATION DEVICES, INCLUDING TEMPERATURE THERMOMETERS, BLOOD PRESSURE MONITORS, UV-C SANITISERS AND UV-C SANITISING WANDS/CASES/TRAVEL BAGS, SOMATIK LABS AND ITS SUPPLIERS DISCLAIM ALL WARRANTIES OF ANY KIND, WHETHER EXPRESS, IMPLIED, OR STATUTORY, REGARDING THE SOMATIK LABS SERVICES, INCLUDING ANY IMPLIED WARRANTY OF TITLE, MERCHANTABILITY, FITNESS FOR A PARTICULAR PURPOSE, OR NONINFRINGEMENT OF THIRD PARTY RIGHTS. BECAUSE SOME JURISDICTIONS DO NOT PERMIT THE EXCLUSION OF IMPLIED WARRANTIES, THE LAST SENTENCE OF THIS SECTION MAY NOT APPLY TO YOU. SOMATIK LABS HEREBY FURTHER EXPRESSLY DISCLAIMS ALL LIABILITY FOR ANY CLAIMS FOR SERVICE FAILURES THAT ARE DUE TO NORMAL PRODUCT WEAR, PRODUCT MISUSE, ABUSE, PRODUCT MODIFICATION, IMPROPER PRODUCT SELECTION OR YOUR NON-COMPLIANCE WITH ANY AND ALL APPLICABLE FEDERAL, STATE OR LOCAL LAWS. THIS WARRANTY AND WARRANTY DISCLAIMER GIVE YOU SPECIFIC LEGAL RIGHTS, AND YOU MAY HAVE OTHER RIGHTS THAT VARY BY STATE, PROVINCE, OR COUNTRY. OTHER THAN AS PERMITTED BY LAW, SOMATIK LABS DOES NOT EXCLUDE, LIMIT OR SUSPEND OTHER RIGHTS YOU HAVE, INCLUDING THOSE THAT MAY ARISE FROM THE NONCONFORMITY OF A SALES CONTRACT. FOR A FULL UNDERSTANDING OF YOUR RIGHTS YOU SHOULD CONSULT THE LAWS OF YOUR STATE, PROVINCE, OR COUNTRY. FOR OUR AUSTRALIAN CUSTOMERS: PLEASE NOTE THAT THIS WARRANTY



IS IN ADDITION TO ANY STATUTORY RIGHTS IN AUSTRALIA IN RELATION TO YOUR GOODS WHICH, PURSUANT TO THE AUSTRALIAN CONSUMER LAW, CANNOT BE EXCLUDED.

## 10.0 NOTES

---

---

---

---

---

---

---

---

---

---

---

---

---

---

---

---

---







Engineered for your **well-being.**

**DIRECTED.**

All Images, Information and Content are Copyright  
© 2020 Directed Electronics Australia Pty Ltd.  
All Rights Reserved.

[www.directed.com.au](http://www.directed.com.au) | [www.directed.co.nz](http://www.directed.co.nz)



[www.somatiklabs.com](http://www.somatiklabs.com)